

## 24mm T1.5 ED AS IF UMC (for Cinema)

### Instruction Manual

Thank you for purchasing our lens.  
We believe that this new 24mm T1.5 ED AS IF UMC lens for video recording will give you a special photographic experience.

The 24mm T1.5 ED AS IF UMC lens forms an optical system based on superior optical technologies, and maintains excellent resolution both at the center and around the periphery of the lens by adopting a high performance Glass Molding ASP lens and UMC (Ultra Multi Coating).

#### Advantages of the 24mm T1.5 ED AS IF UMC

- 35mm full frame image size.
- It compensates optical aberrations using a high performance glass aspherical lens.
- In the fully open position, it produces high resolution and high contrast at the center of the lens as well as around the periphery.
- The petal type hood and UMC (Ultra Multi Coating) design suppresses flaring and ghost images.
- Robust durability with a high strength aluminum body.
- Smooth control when a follow focus is attached, since the lens is equipped with a gear for both focus and aperture.

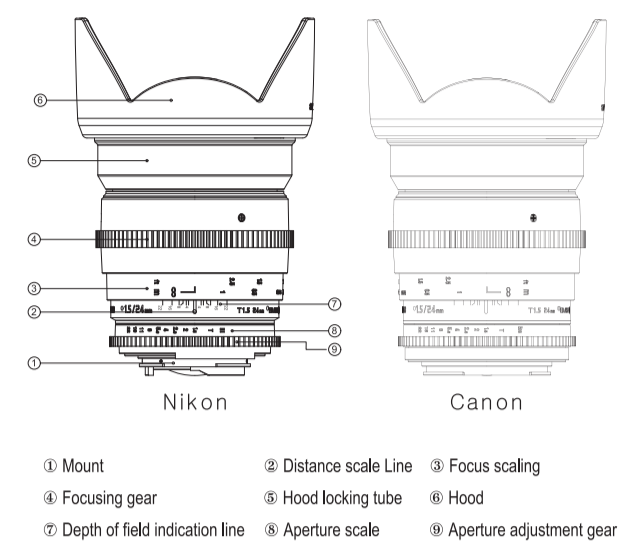
The 24mm T1.5 ED AS IF UMC for video recording is designed with its own mount. You can mount the lens directly onto the camera without using an adaptor.

- Please read this instruction manual carefully and use the product accordingly.
- Please read the "Safety Precautions" at the back of this instruction manual prior to use.

● Please read this instruction manual prior to use. ●

## 1. Component Names

### [ Figure ]



## 2. Attaching to and Detaching from the Camera

The 24mm T1.5 ED AS IF UMC lens mount is uniquely designed for Nikon, Sony α, Sony E, Canon, Four-Thirds, and Samsung NX cameras.

### [Attaching]

Gently hold the lens hood, align the camera mount attachment point with the attachment reference point or line on the lens, push the lens into the camera and gently rotate the lens 90 degrees clockwise from the front view, until it makes a clicking sound.

### [Detaching]

Gently hold the lens hood, press the lens release button on the camera, and turn the lens counterclockwise to detach the lens.

## 3. Focus Adjustment

When using the 24mm T1.5 ED AS IF UMC lens, you can set the focus of a subject by turning the focus adjustment gear, since it is an MF (Manual Focus) adjustment lens.

### [Nikon Mount]

- To change the focus from a subject that is far away to a subject that is close turn the focusing gear counterclockwise (from ∞ to 0.25) and focus on the clearest subject using the indicator signal on the camera or by checking visually.
- To change the focus from a subject that is close to a subject that is far away turn the focusing gear clockwise (from 0.25 to ∞) and focus on the clearest subject using the indicator signal on the camera or by checking visually.

### [Sony α / Sony E / Canon / Four Thirds / Samsung NX Mount]

- To change the focus from a subject that is far away to a subject that is close turn the focusing gear clockwise (from ∞ to 0.25) and focus on the clearest subject by checking visually.
- To change the focus from a subject that is close to a subject that is far away turn the focusing gear counterclockwise (from 0.25 to ∞) and focus on the clearest subject by checking visually.

## 4. Brightness Control

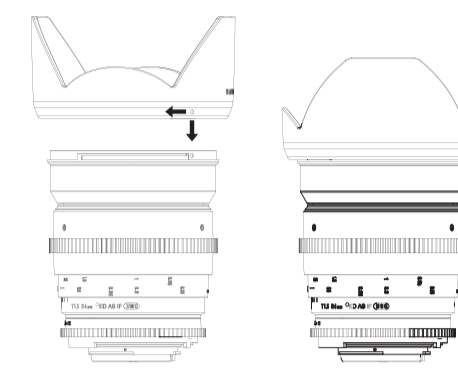
You can set the brightness you want by turning the aperture adjustment gear when using the 24mm T1.5 ED AS IF UMC lens.

You can set T/ND from 1.5 to 22.  
(The aperture is not positioned at any exact point, since it is adjustable continuously without steps.)

## 5. Mounting a Hood

The bayonet-type hood guarantees speedy, efficient, safe and precise installation and facilitates shooting that is free from ghosting or flaring.

### [ Figure ]



Align the attachment reference point on the hood with the hood reference point on the lens, push the hood onto the lens and turn the hood clockwise until it makes a clicking sound.

## 6. Camera settings

Some cameras require special settings prior to using the lens.  
Please refer to the following and set the camera when necessary.

### ○ Nikon

- Record a video in M or A mode.
- Adjust the exposure using the exposure compensation dial steps +5 to -5.

(The above procedure applies to the D7000. Settings for the camera or the menu may be different depending on the model or due to a menu upgrade, therefore refer to the camera manual or contact the camera manufacturer for more detailed information.)

### ○ Sony α

- Record a video in A, S, P or M mode.

(The above procedure applies to the A580. Settings for the camera or the menu may be different depending on the model or due to a menu upgrade, therefore refer to the camera manual or contact the camera manufacturer for more detailed information.)

### ○ Sony E

- Record a video in A, S, P or M mode.
- Adjust the exposure by rotating the dial at the back of the camera.

(The above procedure applies to the NEX-5. Settings for the camera or the menu may be different depending on the model or due to a menu upgrade, therefore refer to the camera manual or contact the camera manufacturer for more detailed information.)

### ○ Canon

- Record a video in Av, Tv, P, CA, or M mode.
- Please note that while recording a video the shutter speed is limited to a minimum of 1/30.

(The above procedure applies to the SD MARK II. Settings for the camera or the menu may be different depending on the model or due to a menu upgrade, therefore refer to the camera manual or contact the camera manufacturer for more detailed information.)

### ○ Samsung NX

- Record a video in A, M, or AF mode.
- Please note that while recording a video the shutter speed is limited to a minimum of 1/30.

(The above procedure applies to the NX 200. Settings for the camera or the menu may be different depending on the model or due to a menu upgrade, therefore refer to the camera manual or contact the camera manufacturer for more detailed information.)

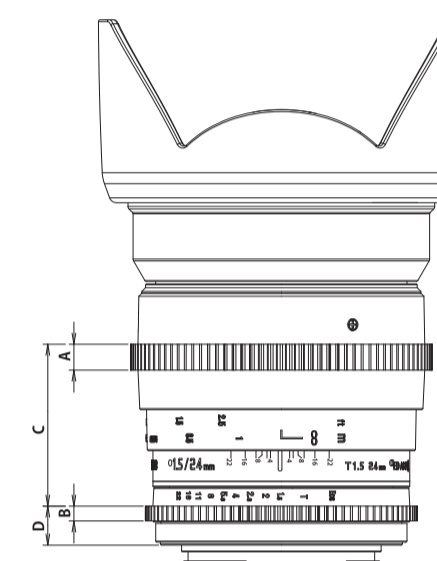
### ○ Four-Thirds FT

- Record a video in P, A, or M mode.
- Please note that while recording a video the shutter speed is limited to a minimum of 1/30.

(The above procedure applies to the E-5. Settings for the camera or the menu may be different depending on the model or due to a menu upgrade, therefore refer to the camera manual or contact the camera manufacturer for more detailed information.)

## 7. SPEC

SPECIFICATIONS		24mm T1.5 ED AS IF UMC						
APERTURE RANGE(STOP)		T1.5 to T22						
OPTICAL CONSTRUCTION		13 ELEMENTS IN 12 GROUPS (2 ASPHERICAL LENS)						
MINIMUM FOCUSING DISTANCE		0.25m(0.85ft)						
FILTER SIZE		∅ 77.0mm						
FRONT DIAMETER		∅ 83.0mm						
MOUNT		NIKON	SONY E	SONY α	CANON	FOUR-THIRDS	SAMSUNG NX	
ANGLE OF VIEW (DIAGONAL)		35mm	84.1°	-	84.1°	84.1°	-	
		APS-C	61.8°	61.8°	61.8°	57.8°	-	61.8°
		4/3"	-	-	-	47.6°	-	
LENGTH(LENS MOUNT TO FRONT)		95mm	123.5mm	97mm	97.5mm	102.8mm	116mm	
WEIGHT(CAP HOOD DETACHABLE)		580g	623g	594g	600g	616g	622g	
GEAR		MODULE	0.9					
		A	7mm					
		B	4mm					
		C	43.8mm					43.8mm
		D	9mm	36.5mm	10mm	10.5mm	15.8mm	29mm
FOCUS DIAMETER		∅ 81.6mm						
APERTURE DIAMETER		∅ 73.6mm						



## 8. Troubleshooting

Symptom	Cause	Action
The lens cannot be attached to the camera.	The reference point on the lens is not aligned with the lens attachment reference point on the camera.	Align the reference point on the lens with the lens attachment reference point on the camera.
The lens cannot be detached from the camera.	Incorrect rotation direction for detaching the lens. If you turn the lens while holding the camera, it may cause damage to the lens.	Press the lens release button on the camera, and gently turn the lens to the lens attaching/detaching reference points, in the direction as marked on the camera, and then pull the lens forward.
Dark image.	Incorrect focusing. Insufficient shutter speed or camera shake.	Turn the focusing ring while checking the subject using the indicator in the camera or checking visually, to set the focus until the subject is clear and distinct, and then press the shutter. After selecting a shutter speed of 1/125 sec or faster, steady the camera and take a photograph.
Automatic focusing does not work properly.	This is a manual focusing lens and does not have an automatic function.	Turn the focusing gear to focus on a subject.
The pictures are too dark or too bright.	The exposure is incorrect.	Set the aperture adjustment gear of the lens correctly.
The camera flash is not synchronized to the camera.	The manual focusing lens may not be compatible depending on the camera.	See the camera manual.
There is no camera finder indication or display.	This lens does not have electronic contacts, so there is no electronic communication with the camera.	This does not indicate that there is a problem with shooting.
Zoom failure.	This lens is a short focus lens.	
This lens cannot be mounted on other cameras.	This lens is designed for a specific mount type.	Please buy the required camera to use this lens.
I want to attach your ZX or 1.4X converter lens.	Our converter is designed for the T (M42 SCREW) mount only, that it cannot be used with this product.	Use each company's own mount converter. However, be aware that auto focusing will not be available.

## 9. Safety Precautions

The following precautions are divided into two types according to the level of danger.

**⚠ WARNING**

If the lens is not held properly, it may cause injury to the user.

**⚠ CAUTION**

If this instruction is not followed, it may cause damage to the lens or cause injury to the user.

The following pictograms are used in the below precautions.

⚠ Read the manual before the operation of camera. (Precautions for camera operation.)

⚠ Read the manual before the operation of camera. (Precautions for camera operation.)

⚠ Read the manual before the operation of camera. (Precautions for camera operation.)

**⚠ WARNING**

Don't look at the sun through the lens. If you stare at the sun, it may cause blindness.

Don't leave the lens within reach of children. If they play with the lens, they may cause damage to the lens or injury to the user.

**⚠ CAUTION**

Don't touch the lens to the camera. If you touch the lens, it may cause damage to the lens or injury to the user.

Don't touch the lens to the camera. If you touch the lens, it may cause damage to the lens or injury to the user.

Don't touch the lens to the camera. If you touch the lens, it may cause damage to the lens or injury to the user.

**⚠ WARNING!**

Do not allow this product to get wet, or expose it to a moist environment. It may cause a fire or electric shock.

**⚠ CAUTION!**

- Do not use this product or store it close to devices that generate heat i.e., heaters, thermal regulators, stoves, stereo amplifiers.
- Do not expose the lens to drastic temperature changes.
- Do not touch the surface of the lens with your hand, or let it come into contact with sharp objects.
- Do not drop the lens.
- Do not soak the lens in water, and avoid water splashing onto the lens.
- If there are foreign bodies on the lens, use a lens cleaning kit only.

